

SQUARE TILE CEILINGS



Certified according to
DIN EN ISO 9001



Certificate-register-no.
QA 051007125

dobner.

Metalldeckensysteme GmbH

Everything from one single source

- Flexible production
- Fast response to requests for quotations
- All parts compatible
- Fast planning and execution
- Short Installation times

Own fied-service staff

- Consultancy on site
- Help in solving problems
- Individual customer consultancy

Modern Machinery

- Precision
- Optimum quality
- High accuracy
- Fast production

Shipping with own vehicles

- Fast and punctual delivery
- Low shipping risk
- Delivery direct to the construction site

Why choose Dobner?

- Large enough to perform demanding and one-off projects in the best possible way
- Small enough to respond fast, flexibly and with no "red tape"

Innovative staff team

- High performance and efficiency
- New ideas and approaches to solving problems
- Receptive to new approaches

Extensive manufacturing penetration and breadth

- Production of customized designs of all types
- Planning, implementation and production from one single source

Ongoing product development

- Products with modern design
- Enviroment-friendly materials
- Constant product improvements

Technical customer service

- Satisfied customers
- Fast response to enquiries and requests for quotations of all types
- Competent persons to contact

dobner.

Metalldeckensysteme GmbH



PARFUME SHOP, NECKARCENTER ESSLINGEN, GERMANY

The closed ceiling system

The dobner window ceiling systems are fascinating owing their optical brilliance and individual possible uses.

The hinge system offers major advantages. You can open each individual coffer and gain access to the inside of the ceiling. This means that cleaning, modifications to piping and cabling and inspections can be carried out at any point on the ceiling with absolutely no problems. After they are closed, all coffers are once again fit snugly back in place. Should you require more detailed information, please call us or arrange an appointment with us. Our Service Team will be more than willing to help you at any time and answer any other questions which you may have.

dobner.

Metalldeckensysteme GmbH



The coating

The visible side of the coffer ceiling is embellished with a very high-quality powder coating. All RAL Colours are available. The coffers are:

light-resistant, scratch-resistant, frost-resistant, waterrepellent, and odourless, and cannot take on any electro-static charge.

The material

consists of galvanised steel or aluminium plate.

Dimensions: 625 x 625 mm and 600 x 600 mm.

Material thickness: 0.6 mm

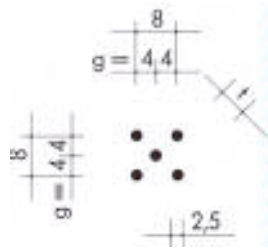
Colours: any RAL colour can be supplied.

dobner.

Metalldeckensysteme GmbH

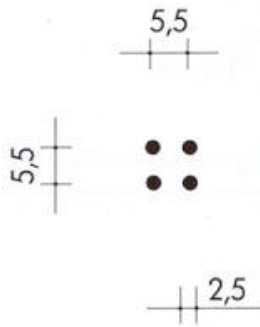
Standard perforations

Hole pattern Rd 2516



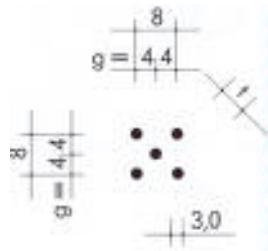
Hole diameter $2 = 2.50$ mm
 Hole spacing $g = 4.00$ mm
 Hole spacing $t = 5.66$ mm
 Hole rows diagonal offset = 45°
 Free cross-section $A_o = 15.4$ %
 Designation to DIN Rd 2.50 - 5.66

Hole pattern Rg 2516



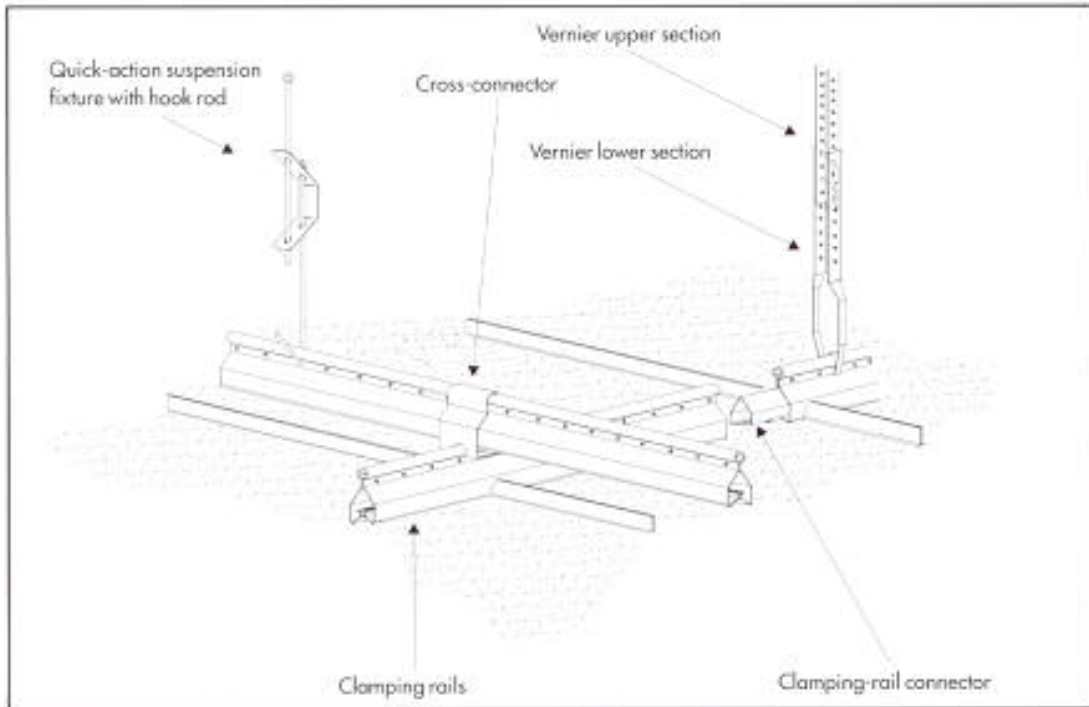
Hole diameter $w = 2.50$ mm
 Hole spacing $t = 5.50$ mm
 Hole rows straight
 Free cross section $A_o = 16.2$ %
 Designation to DIN Rd 2.50 - 5.50

Hole pattern Rd 3022



Hole diameter $w = 3.00$ mm
 Hole spacing $g = 4.00$ mm
 Hole spacing $t = 5.66$ mm
 Hole rows diagonal offset = 45°
 Free cross-section $A_o = 22.0$ %
 Designation to DIN Rd 3.00 - 5.66

Other perforations are available.
 Hole patterns on request.



Clamping spring

Material: Steel, galvanised
Length: 125-250 mm

Vernier upper section

Material: Steel, galvanised
Length: 135-1000 mm

Vernier lower section

Material: Steel, galvanised

Cross-connectors

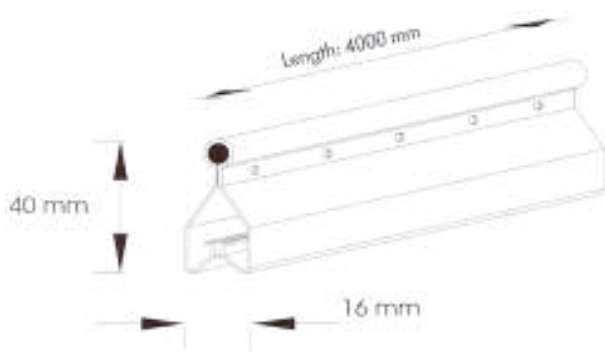
Material: Steel, galvanised

Suspension rods

Material: Steel, galvanised
Length: 125-1500 mm

dobner.

Metalldeckensysteme GmbH



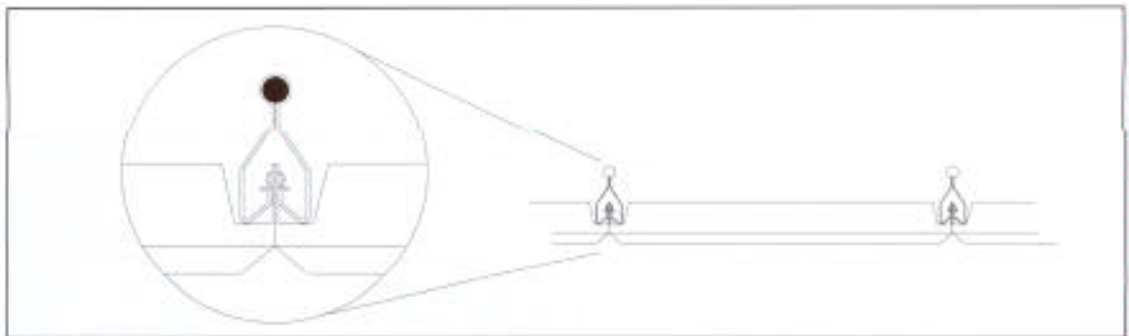
Clamping rail

Material: Steel, galvanised
Dimensions: 40 x 16 mm
Length: 4000 mm



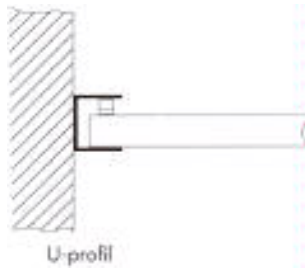
Clamping-rail connectors

Material: Steel, galvanised
Dimensions: 40 x 16 mm
Length: 4000 mm



dobner.

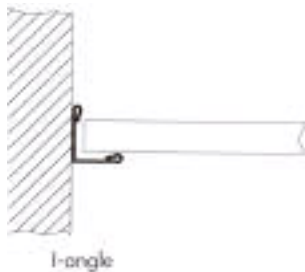
Metaldeckensysteme GmbH



U-profile sections

Material: Steel, galvanised
powder-coated in colours of the
coffers

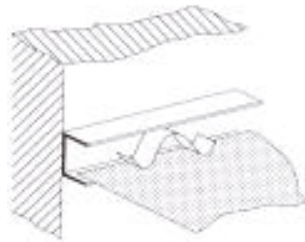
Material thickness: 0.6 mm
Dimensions: 24 x 34 (inside
dimension) x 24 mm



Angle sections

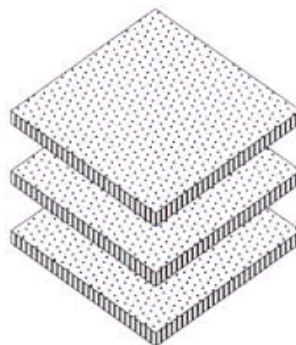
Material: Steel, galvanised,
powder-coated in colours of the
coffers

Material thickness: 0.6 mm
Dimensions: 24 x 24 mm
Length: 3000 mm



Pressure springs as hold-down devices on cut coffers

Material: Spring steel
Packed in units of: 100 ea.



Acoustic insert

Material: mineral wool boards, 20
mm thick welded into black PE film
Dimensions: 625 x 625 mm and 600
x 600 mm

Dobner square tile ceiling

Item 1 Approx.m²

dobner square tile ceiling, consisting of:

Square tile, size, unperforated version, each individual coffer being capable of swivelling downwards.

The square tile consist of dip-galvanised steel plate 0.6 mm thick, visible side white, power-coated (similar to RAL 9010).

Supplier: Dobner Metalldeckensysteme GmbH, Puschkinallee 3, D-12435 Berlin
Fon +49 (30) – 421 98 140, Fax +49 (30) 421 98 145

A carrier grid is suspended from the bare ceiling which is made of clamp extruded section, section connectors, and cross-members and fastened with expanding metal wall-plugs, tension spring, and wire hooks as approved by the building supervisory authorities. The whole sub-construction is supplied and installed in the galvanised version.

Suspension height: cm.

Material €

Installation €.....

Unit price €..... €.....

Item 2 approx.m²

Addition to Item 1 -

dobner square tile ceiling, as described in Item 1 but as acoustic ceiling.

The square tile are additionally perforated in accordance with perforation pattern no ... The perforation shafts must likewise be powder-coated. Sound insulation is achieved by placing mineral-wool panels 20 mm thick in the square tile, visible side with trickle protection, non-inflammable

Material €

Installation €.....

Unit price €..... €.....

Alternative to Item 2 -

dobner square tile ceiling, as described in Item 2 as acoustic ceiling, but instead of the mineral-fibre panels, block acoustic fleece with very good noise-absorption values, and non-flammable as defined by the requirements of Construction Materials Class B1 (in DIN 4102 Part 1) is glued in place.

Material €

Installation €.....

Unit price €..... €.....

dobner.

Metalldeckensysteme GmbH

Dobner square tile ceiling

Alternative to Item 1:

dobner square tiles, as in Item 1,
but powder-coated in RAL colour...

Allowance € m²

Item 3 approx.m run Wall junctions with galvanised metal edge brackets 24 x 24 mm, powder-coated in colour of square tiles.
Supply and installation of the above.

Material €

Installation €.....

Unit price €..... €.....

Alternative to Item 3:

Wall junctions in the form of the U-profile sections made of galvanised sheet steel, powder-coated in colour of the square tiles and profile spring sections as hold-down devices.

Supply and installation of the above.

Material €

Installation €.....

Unit price €..... €.....

Item 4 approx.ea. Recessed light fittings, provided by Owner, size x cm, installation of the above, (connection by electrical installation company). See construction drawings for light fitting distribution.

Unit price €..... €.....

Item 5 approx.ea. Provision of light fitting recesses in the square tiles for installation of ceiling spotlights. Diameter mm. See construction drawings for distribution.

Unit price €..... €.....

Material requirements for square tile ceilings 625 x 625 mm

Basis per m²

- Item 1.0 € m² Square tiles unperforated
- Item 2.0 € m² Square tiles unperforated
- Item 2.1 € m² Acoustic insert mm thick
- Item 2.2 € m² Square tiles, perforated, with bonded- in nonwoven acoustic fabric, black

- Item 3.0. € m² Clamping rails as mounting rails 0.8 m run €
- Item 3.1. € m² Clamping rails 1.6 m run €
- Item 3.2. € m² Clamping-rail connectors 0.6 ea. €
- Item 3.3. € m² Cross-connectors 1.28 ea. €

- Item 4.0. € m² Clamping springs, length mm 0.6 ea. €
- Item 4.1. € m² Suspension rods, length mm, 0.6 ea. €
- Item 4.2. € m² Metal straddling dowels M 6 0.64 ea. €

- Item 5.0. € m² Wall edge section 24 x 24 mm, 0.4 m run €
- Item 5.1. € m² U-profile wall section 24 x 34 x 24 mm 0.4 m run €
- Item 5.2. € m² Compression springs as hold-down devices for Item 5.1. 1.28 ea. €

Coast summary

Material	€	
Installation-specific off-cut %	€	
Freight costs	<u>€</u>	
Cost price	€	
Company surcharges %	<u>€</u>	
Total material costs	€	
Labour	€	€m ²

CREATIVITY AND QUALITY UNDER ONE ROOF



We can supply the following ceilings:

- dobner square tile ceiling
- dobner rectangular panel ceiling
- dobner wide strip ceiling
- dobner aluminium strip ceiling
- dobner open cell ceiling
- dobner sports strip ceiling

Certified according to
DIN EN ISO 9001



Certificate-register-no.
QA 051007125



Technischer Arbeitskreis Industrieller
Metalldeckenhersteller (TAIM) e.V.
Frankfurt/Main

dobner.

Metalldeckensysteme GmbH